

# FITMENT INSTRUCTIONS

**Alu-Cab™**



## Canopy Table

All rights reserved. No part of this document may be reproduced, translated, stored in a retrieval system, or transmitted, in any form or by any means, electronic, mechanical, photocopying, recording or otherwise, without prior written permission of the owner.

Review all instructions information carefully before installation.

Any damages, direct or incidental to the installer and/or property due to incorrect installation of any parts are the responsibility of the installer. Due to the various applications and fitment options available, the responsibility lies with the user to ensure all mounting points are secure and tight before every trip. If unsure, consult with your Distributor regarding the operations of our products.

Users are advised to be mindful of the load they are carrying and drive in accordance with road conditions.

DISCLAIMER

**Alu-Cab**

## 1. Canopy Table Fitment – Tools, Fasteners & Materials

The tables below show the equipment, i.e. tools, fasteners, hardware and consumables required for the fitment of the canopy table.

Part Number	Description	Qty
Alu-Table Assy	Alu-Table	1
R-clip with wire	R-clip with wire	1
4.8x15 Fender Rivet	fender rivet	1
402-CAN-TAB-AL-BRKT-01-00	Anti-luce Bracket	1
M8 Anti-Luce Fastener	M8 Anti-Luce Fastener	1
M8 Spring Washer	M8 Spring Washer	7
M8 Flat Washer	M8 Flat Washer	5
M8 Nyloc Nut	N8 Nyloc Nut	1
M8 Hex Nut	Hex Nut	6
M8x16 Button Head Screw	M8x16 Button Head Screw	6
402-CAN-TAB-BRKT-01-00	Table Bracket	2

### Hardware Supplied with Canopy Table kit:

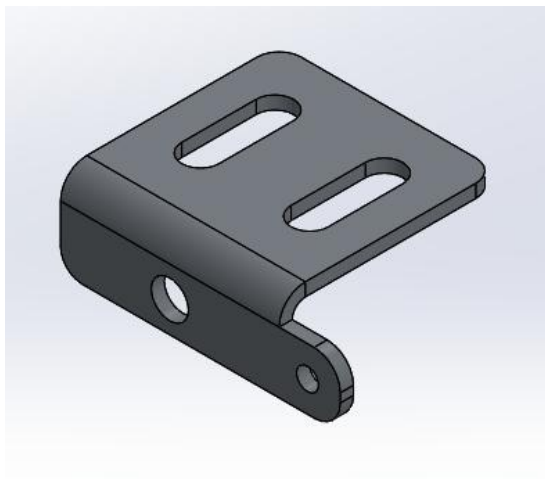


Figure 1: Anti-luce bracket



Figure 2: Table bracket



#### **WARNING**

Always wear appropriate PPE ( Personal protection equipment) when fitting this product. Although the mounting kit is designed to be DIY, if you have any doubts or concerns, contact an accredited fitment centre to carry out the work. Alu-Cab will not be liable for any injury to persons, and/or damage to products and/or vehicles.

## 1.1 Tools required to fit Canopy Table kit:

TOOL	PURPOSE
Allen Key	Fastening various bolts
13mm spanner	Spanner to tighten various bolts
Drill	Drilling hole for R-clip wire rivet
4.8mm drill bit	Drilling hole for R-clip wire
Rivet gun	Riveting R-clip wire to canopy

### 1. Fitting the Canopy Table kit

#### Step 1: Fitting the table brackets

Fit the table brackets to the aluminium nut slot extrusion as shown below. The distance between the internal faces of the brackets should be approximately 765mm to allow the table to slide into the brackets.



Figure 3: Table brackets installed

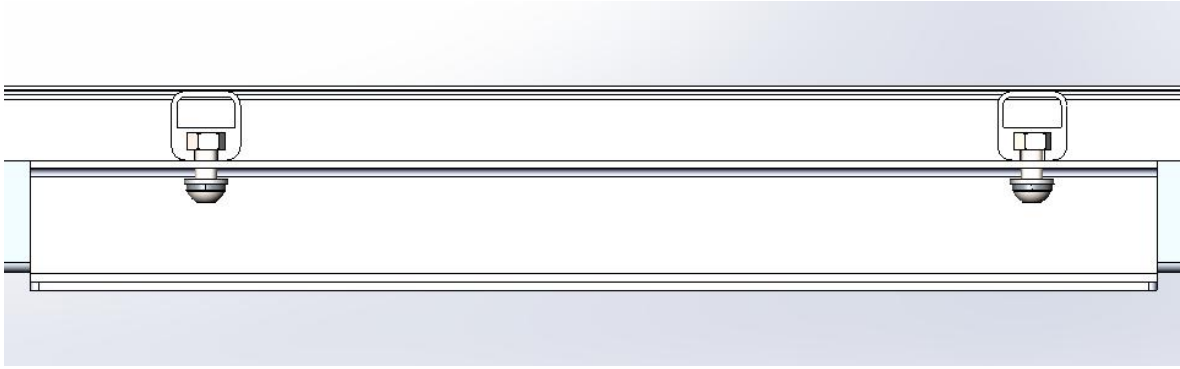


Figure 4: Table Bracket Assembled

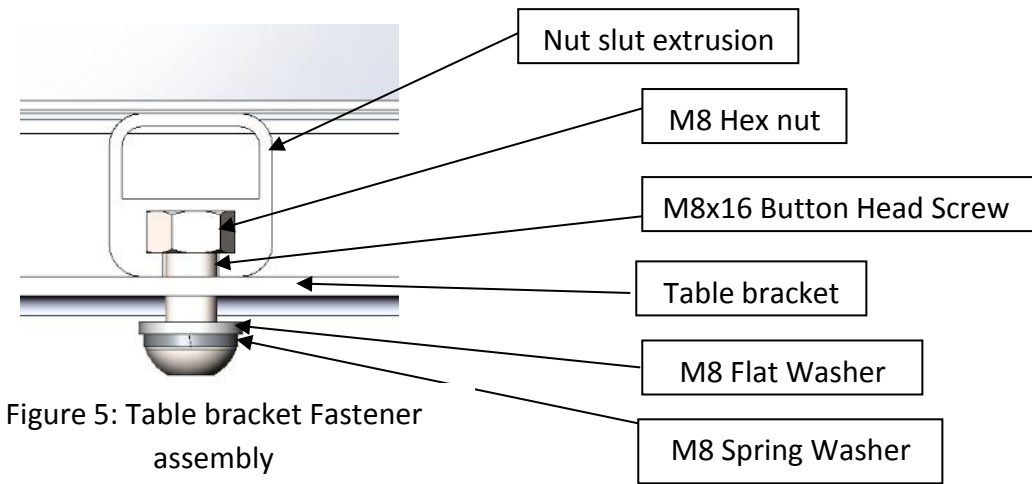


Figure 5: Table bracket Fastener assembly

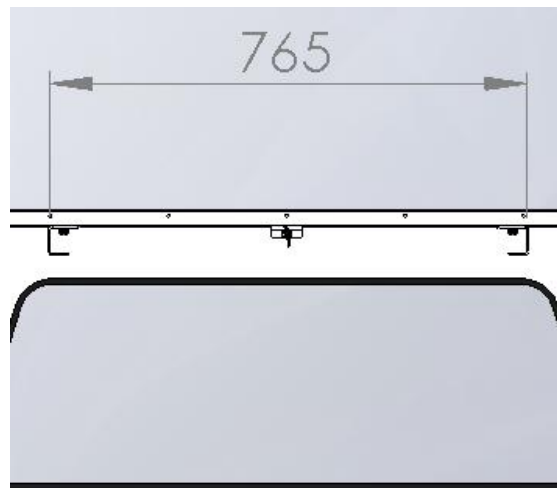


Figure 6: Distance between table brackets

## Step 2: Fitting the anti-luce bracket

Fit the anti-luce bracket as shown in the diagram below.

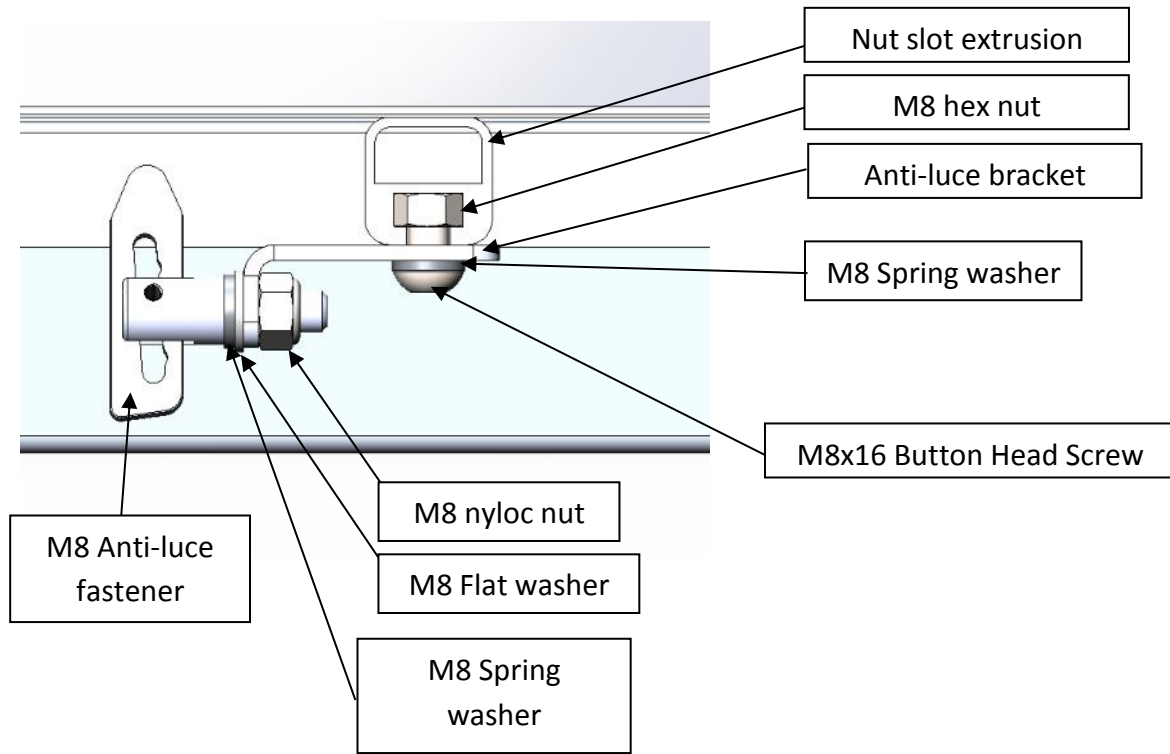


Figure 7: Anti-luce bracket assembly



Figure 10: Table fitted into canopy



Figure 11: Table fitted into canopy (Inside view)



Figure 12: Table fitted into canopy (Outside photo)