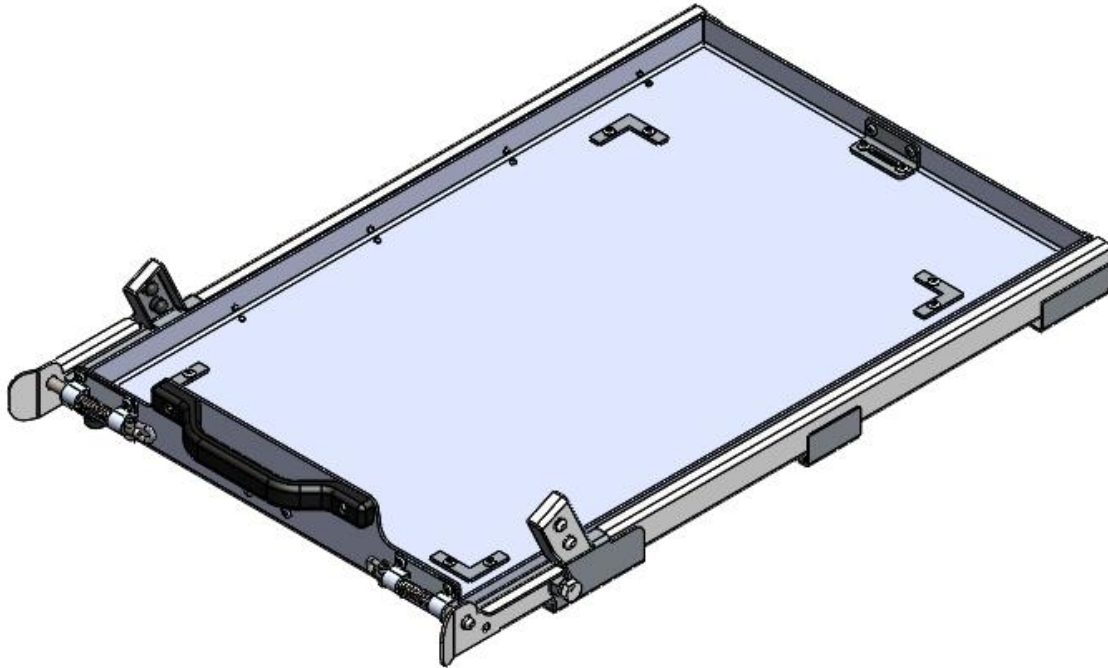


# FITMENT INSTRUCTIONS

**Alu-Cab**<sup>™</sup>



## Tilting Fridge Slide

All rights reserved. No part of this document may be reproduced, translated, stored in a retrieval system, or transmitted, in any form or by any means, electronic, mechanical, photocopying, recording or otherwise, without prior written permission of the owner.

Review all instructions information carefully before installation.

Any damages, direct or incidental to the installer and/or property due to incorrect installation of any parts are the responsibility of the installer. Due to the various applications and fitment options available, the responsibility lies with the user to ensure all mounting points are secure and tight before every trip. If unsure, consult with your Distributor regarding the operations of our products.

Users are advised to be mindful of the load they are carrying and drive in accordance with road conditions.

DISCLAIMER

**Alu-Cab**

## 1. Fridge Slide – Tools, Fasteners & Materials

The tables below show the equipment, i.e. tools, fasteners, hardware and consumables required to start and finish the fitment of the Fridge Slide.

### 1.1 Hardware Supplied with fridge slide:

| ITEM NO. | PART NUMBER          | DESCRIPTION          | QTY. |
|----------|----------------------|----------------------|------|
| 1        | 434-ASSY-01-00       | BOTTOM RAIL ASSEMBLY | 1    |
| 2        | 434-ASSY-02-00       | TRAY ASSEMBLY        | 1    |
| 3        | 434-FS-LOCATOR-01-00 | Fridge Slide Locator | 4    |
| 4        | Rivet Ø4.8x11        | Rivet Ø4.8x11        | 8    |
| 5        | M8x20 HEX BOLT       | M8x20 HEX BOLT       | 4    |
| 6        | M8 FLAT WASHER       | M8 FLAT WASHER       | 8    |
| 7        | M8 NYLOC NUT         | M8 NYLOC NUT         | 4    |

| <u>TOOL</u>           | <u>PURPOSE</u>                    |
|-----------------------|-----------------------------------|
| Allen Key             | Fastening various bolts           |
| Ø9mm & Ø5mm Drill Bit | Drilling holes                    |
| Drill                 | Drilling holes                    |
| Rivet gun             | Riveting locator brackets to tray |
| 13mm spanner          | Spanner to tighten various bolts  |
| Ratchet               | Fastening various bolts           |

### 2.1 Tools required to fit fridge slide:

#### Part Identification:

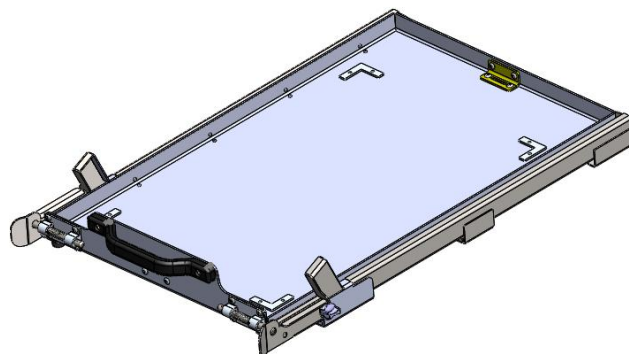


Figure 1: Fridge Slide Assembly

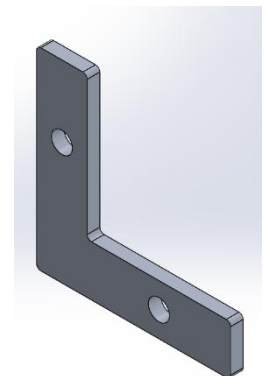


Figure 2: Fridge Slide Locator

## 2 Fitting the Fridge Slide:

### Step 1: Drill holes into mounting surface

To mount the fridge slide, you will need to drill holes into the surface you will mount it to so that you can bolt the fridge slide frame down. Before drilling any holes ensure that the position for the fridge slide is close enough to the edge of the mounting surface so that it can tilt downwards as shown below in figure 3.



Figure 3: Fridge Slide in Tilted down position

Remove the fridge slide tray from the fridge slide frame in order to access the mounting holes. The recommended hole locations are shown circled in red in figure 4 below. If there is a clash with the recommended holes, the other holes in the frame can be used. Mark out the hole locations and using a hand drill and Ø9mm drill bit drill the holes.

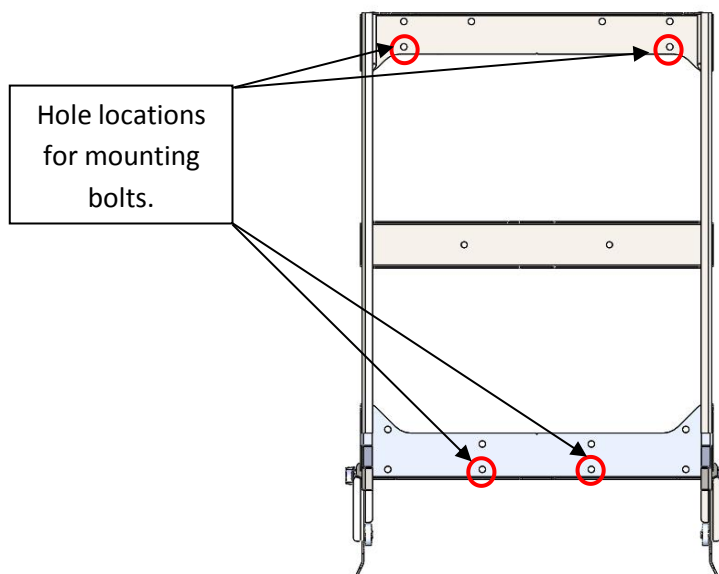


Figure 3: Hole positions on Fridge Slide Frame.



#### **WARNING**

Always wear appropriate PPE ( Personal protection equipment) when fitting this product. Although the mounting kit is designed to be DIY, if you have any doubts or concerns, contact an accredited fitment centre to carry out the work. Alu-Cab will not be liable for any injury to persons, and/or damage to products and/or vehicles.

## **Step 2: Bolt Fridge Slide frame to mounting surface**

Using the M8 bolts, nyloc nuts, washers and plastic nut caps provided bolt the fridge slide frame to the mounting surface as shown below in figure 4.

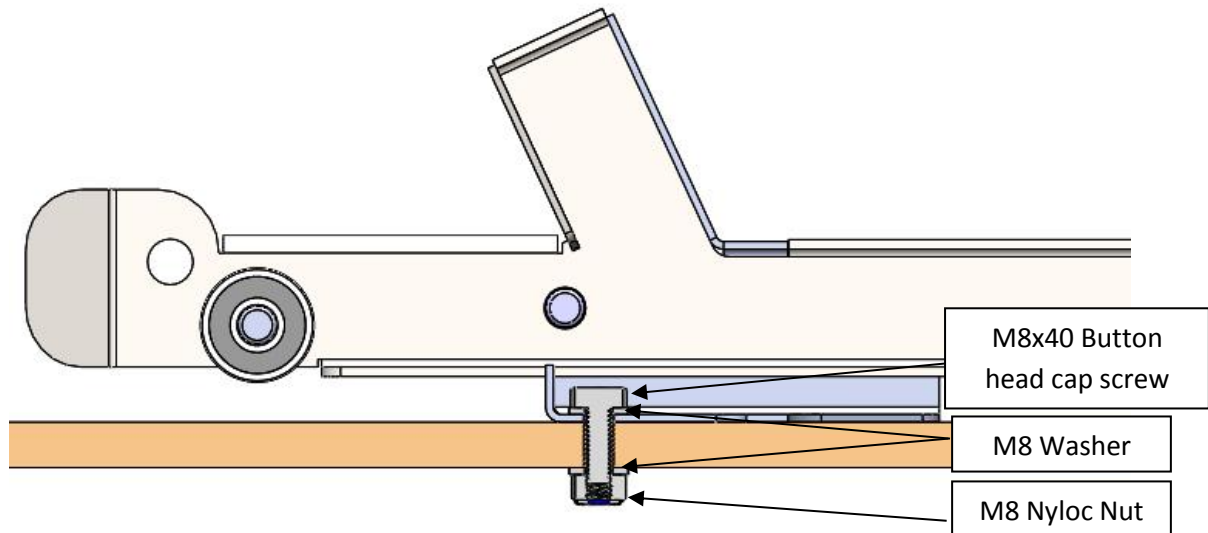


Figure 4: Sectioned side view of Fridge Slide Frame

## **Step 3: Fit locator brackets to fridge slide tray**

There are 4 fridge slide locator brackets provided with the fridge slide, these are used to keep your fridge from moving around during travelling. The 4 locators are installed next to the feet of the fridge to prevent movement. Place the fridge in the centre of the fridge slide tray and place the locators hard up against the legs of the fridge. Mark off the hole positions and using a  $\text{\O}5\text{mm}$  drill bit, drill the holes. Use a rivet gun to rivet the locator brackets in place. See below for figure

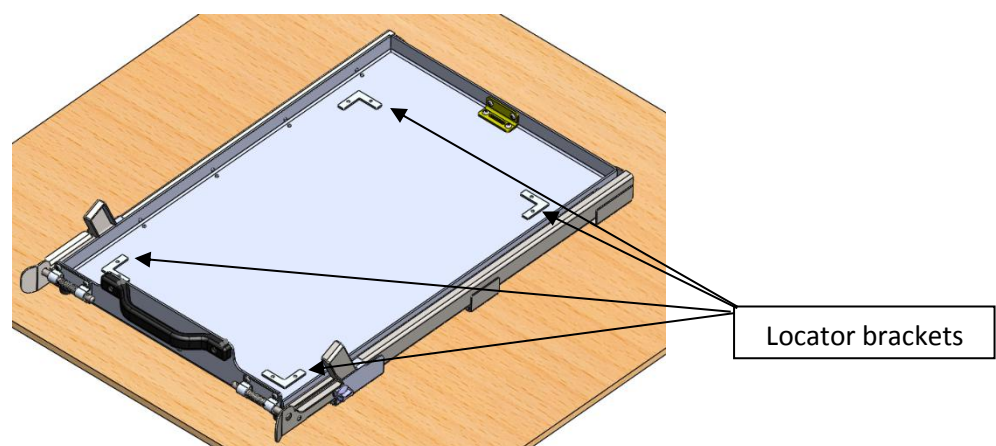


Figure 5: Locator brackets installed.

### **Step 4: Ratchet strap your fridge to the fridge slide tray.**

Ratchet strap your fridge to the fridge slide tray using ratchet straps and the slots as circled below in figure 6. Your fridge is now installed.

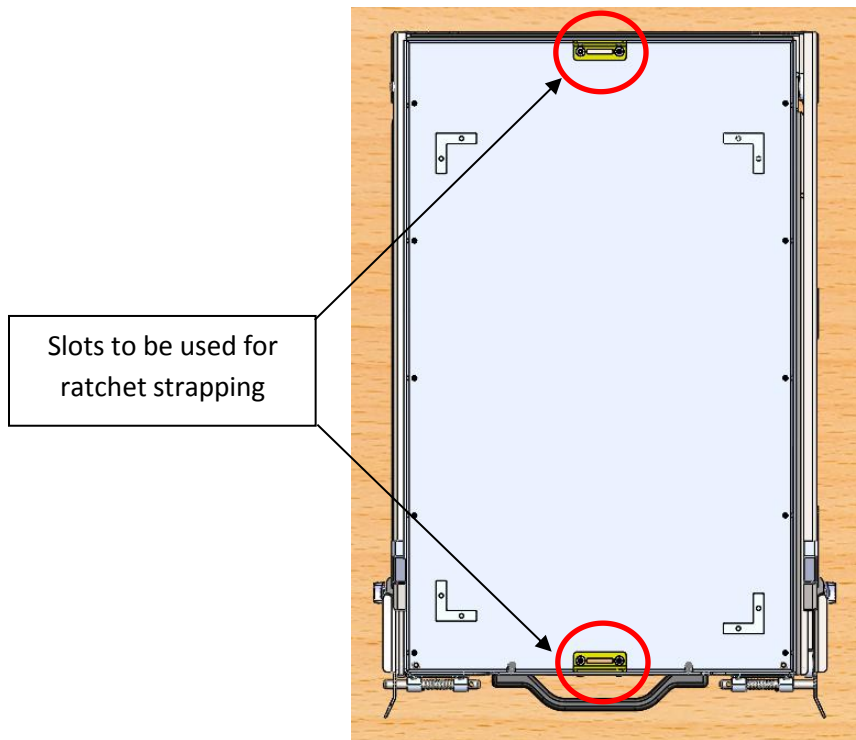


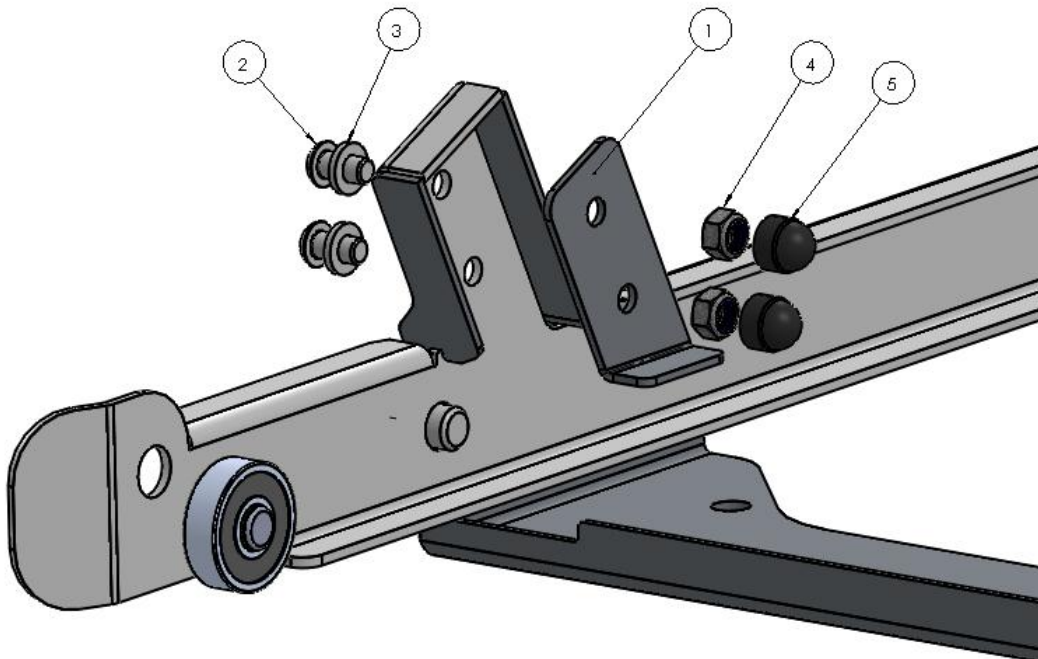
Figure 6: Ratchet strap slots.



Figure 6: Ratchet strapped fridge.

**To add a non tilting option:**

1. Add Item 1 as shown and to the opposite side as well with supplied bolts as shown below



| ITEM  | PART NUMBER             | DESCRIPTION             | MATERIAL              | QTY. |
|-------|-------------------------|-------------------------|-----------------------|------|
| 1     | 434-TILT-STP-LH-01-00   | Tilt stopper LH         | AISI304 (2mm)         | 1    |
| 1 OPP | 434-TILT-STP-RH-01-00   | Tilt Stopper RH         | AISI304 (2mm)         | 1    |
| 2     | M6x16 Button Head Screw | M6x16 Button Head Screw | AISI316               | 4    |
| 3     | M6 Flat Washer          | M6 Flat Washer          | AISI316               | 4    |
| 4     | M6 Nyloc Nut            | M6 Nyloc Nut            | Galvanized Steel      | 4    |
| 5     | M6 Nut Cap              | Nut Cap                 | PE Low/Medium Density | 4    |