

# FITMENT INSTRUCTIONS

**Alu-Cab**<sup>TM</sup>



## Mercedes Benz X-Class Canopy

All rights reserved. No part of this document may be reproduced, translated, stored in a retrieval system, or transmitted, in any form or by any means, electronic, mechanical, photocopying, recording or otherwise, without prior written permission of the owner.

Review all instructions information carefully before installation.

Any damages, direct or incidental to the installer and/or property due to incorrect installation of any parts are the responsibility of the installer. Due to the various applications and fitment options available, the responsibility lies with the user to ensure all mounting points are secure and tight before every trip. If unsure, consult with your Distributor regarding the operations of our products.

Users are advised to be mindful of the load they are carrying and drive in accordance with road conditions.

DISCLAIMER

**Alu-Cab**

## 1. Canopy Fitment – Tools, Fasteners & Materials

The tables below show the equipment, i.e. tools and fasteners required to start the canopy fitment for a Mercedes Benz X-Class.

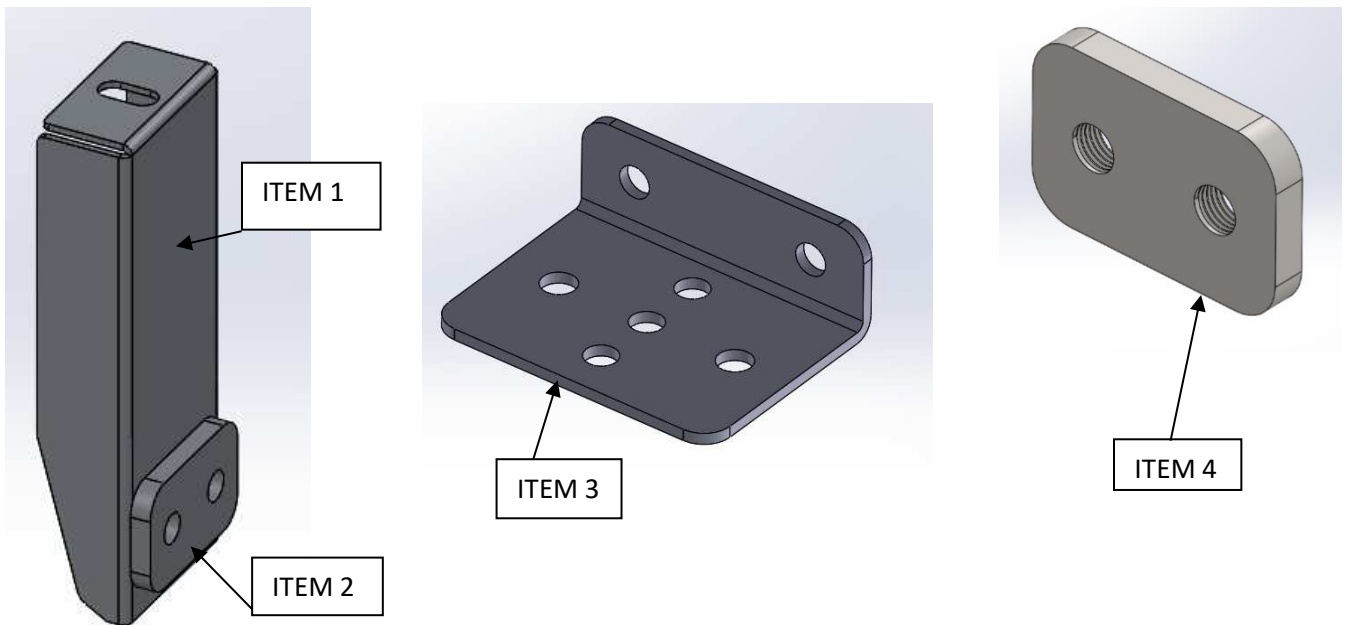
### 1.1. Tools & Item Required:

<u>TOOLS</u>	<u>ITEM</u>
Ratchet	Turpentine
Allen key	Cloth
13mm Socket	Black sealant, silicone or Sikaflex
13mm Ring Flat Spanner	Window Cleaner

### 1.2. Hardware supplied: (Included with canopy)

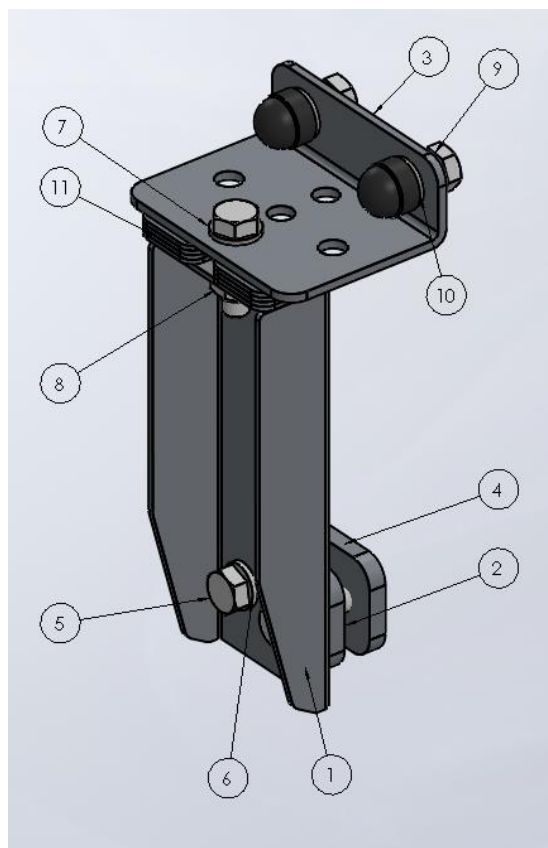
<b>ITEM NO.</b>	<b>PART NUMBER</b>	<b>DESCRIPTION</b>	<b>SET REQ</b>
1	NP300-CHAN-BRKT-01-00	CHANNEL BRACKET	6
2	NP300-SPACER-PLT-01-00	SPACER PLATE	6
3	Universal Canopy Mount Bracket	Canopy Mount Bracket	6
4	NP300-NUT-PLT-01-00	NUT PLATE	6
5	M8x30 Hex Head Bolts	Hex Head Bolts	18
6	DIN 7980 M8 Spring Washer	Spring Washer	12
7	DIN 125A M8 Flat Washer	Flat Washer	24
8	ISO 7040 M8 Nyloc Nut	Nyloc Nut	18
9	M8x20 Hex Head Bolt	M8x20 Hex Head Bolt	12
10	M8 Nut Cap	Nut Cap	12
11	TLCruiser Shim(60x30x1.6mm)	SHIM PLATE	24

# PARTS:

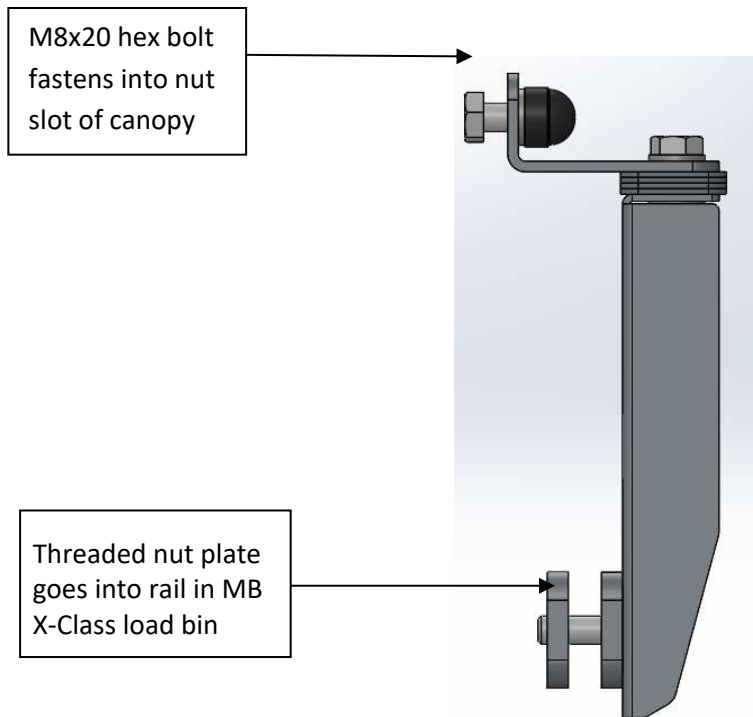


## **2. Mounting the canopy brackets to the load bin**

The MB X-Class canopy has six bracket kits (3 per side) which are fitted to the load bin.



## 2.1. Mounting the Support Brackets to the Load Bin



### **WARNING**

Always wear appropriate PPE ( Personal protection equipment) when fitting this product. Although the mounting kit is designed to be DIY, if you have any doubts or concerns, contact an accredited fitment centre to carry out the work. Alu-Cab will not be liable for any injury to persons, and/or damage to products and/or vehicles.

## Positions of the bracket kits in the load bin

Figures 7 and 8 shows where the mounting brackets are fixed to the load bin.

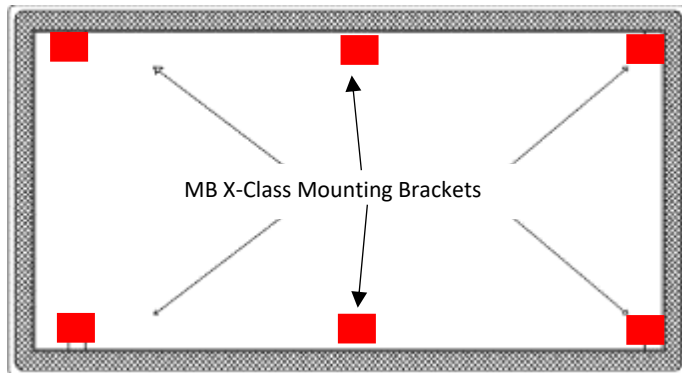


Fig 7: Top View of Load bin

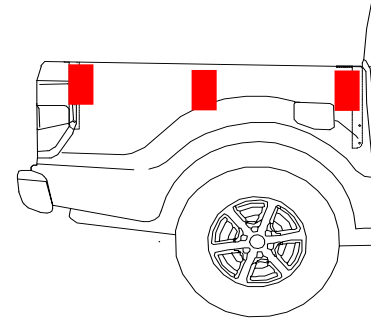
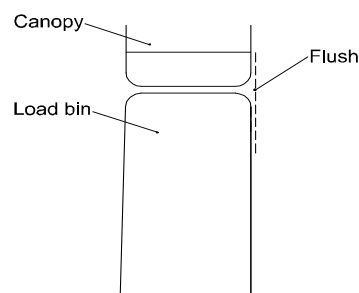


Fig 8: Side View of Load bin

### **3. Canopy Installation**

Before placing the canopy onto the load bin, check that the D-Rubber is intact on the canopy. If this is not done, the canopy and/or load bin could be damaged or can cause leaks into the canopy.

To position the canopy, ensure that it is flush with the load bin on the inside.



#### **3.1 Canopy Fitment to Load bin**

Keep all the doors of the canopy open besides the rear door when placing it onto the load bin. Check alignment before bolting down.