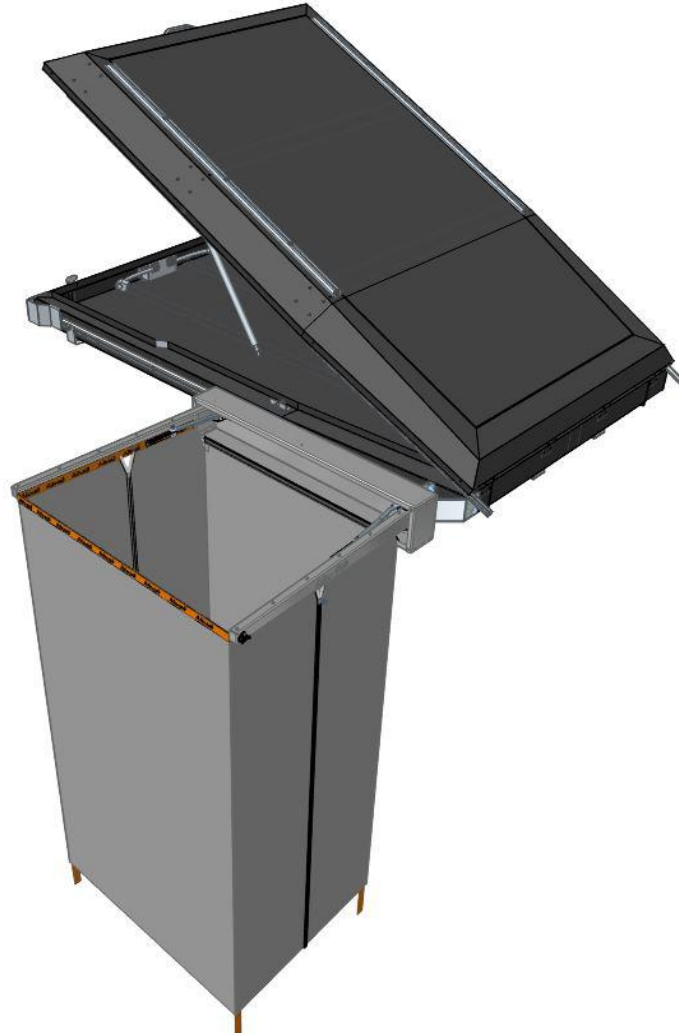


FITMENT INSTRUCTIONS

Alu-Cab™



Shower Cube to Gen 3 Tent & Canopy Camper DC (SH-BKT-GEN3/CC)

All rights reserved. No part of this document may be reproduced, translated, stored in a retrieval system, or transmitted, in any form or by any means, electronic, mechanical, photocopying, recording or otherwise, without prior written permission of the owner.

Review all instructions information carefully before installation.

Any damages, direct or incidental to the installer and/or property due to incorrect installation of any parts are the responsibility of the installer. Due to the various applications and fitment options available, the responsibility lies with the user to ensure all mounting points are secure and tight before every trip. If unsure, consult with your Distributor regarding the operations of our products.

Users are advised to be mindful of the load they are carrying and drive in accordance with road conditions.

DISCLAIMER

Alu-Cab

1. Shower Cubicle Fitment – Tools, Fasteners & Materials

The tables below show the equipment, i.e. tools and fasteners required to start the shower cubicle fitment onto a Gen 3 Tent.

1.1. Tools & Items Required:

TOOLS
Ratchet
13mm Socket
13mm Ring Flat Spanner
Drill
Drill Bit Ø8.5

ITEM
Turpentine
Cloth
Black sealant, silicone or Sikaflex

1.2. Fasteners supplied: (Included with Shower Cubicle)

ITEM	QTY
HEX HEAD BOLT M8X20	6
M8 FLAT WASHER	16
M8 NYLOC NUT	10
M8 PLASTIC NUT CAP	10

1.3 Hardware Required: (Included with Shower Cubical)

ITEM	DESCRIPTION	QTY
SHOWER CUBICLE	SHOWER CUBICLE ASSEMBLY	1
SHOWER CUBICLE BAG	BLACK SHOWER CUBICLE BAG	1
SHOWER CURTAIN	GREY SHOWER CURTAIN	1

1.4 Brackets Required: (Sold Separately)

FRONT MOUNT BRACKET	AWN-BKT-02-001	1
FRONT MOUNT BACK PLATE	AWN-BKT-02-002	1
FRONT MOUNT BACK PLATE	AWN-BKT-02-003	1
GENERIC MOUNTING BRACKET	415-GENE-MNT-BKT-01-00	1
BACK PLATE FOR GENERIC BRACKET	415-SHW-MNT-BCK-PLT-03	1

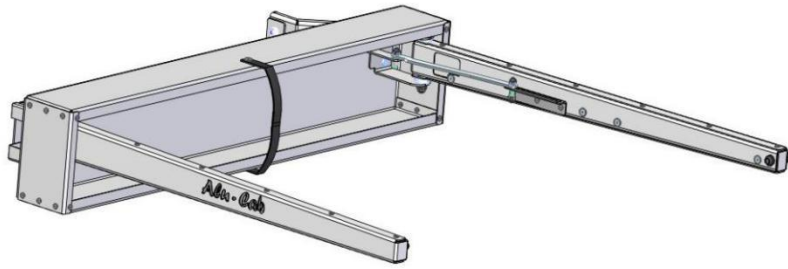


Fig 1.SHOWER CUBICLE

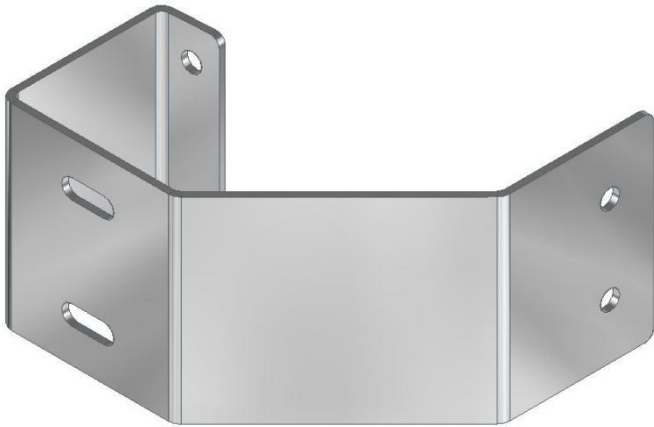


Fig 2. AWN-BKT-02-001

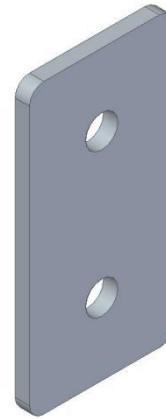


Fig 3. AWN-BKT-02-002

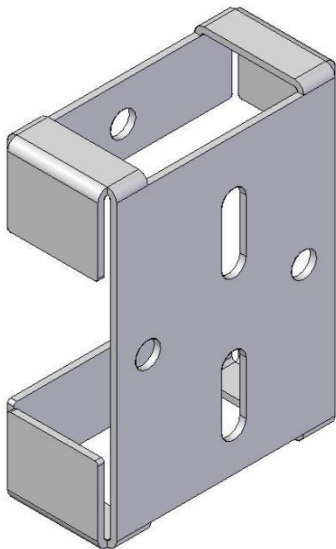


Fig 4. 415-SHW-GENE-MNT-BKT-01-00



Fig 5.415-SHW-MNT-BCK-PLT-03

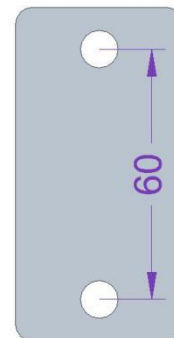


Fig 6. AWN-BKT-02-003

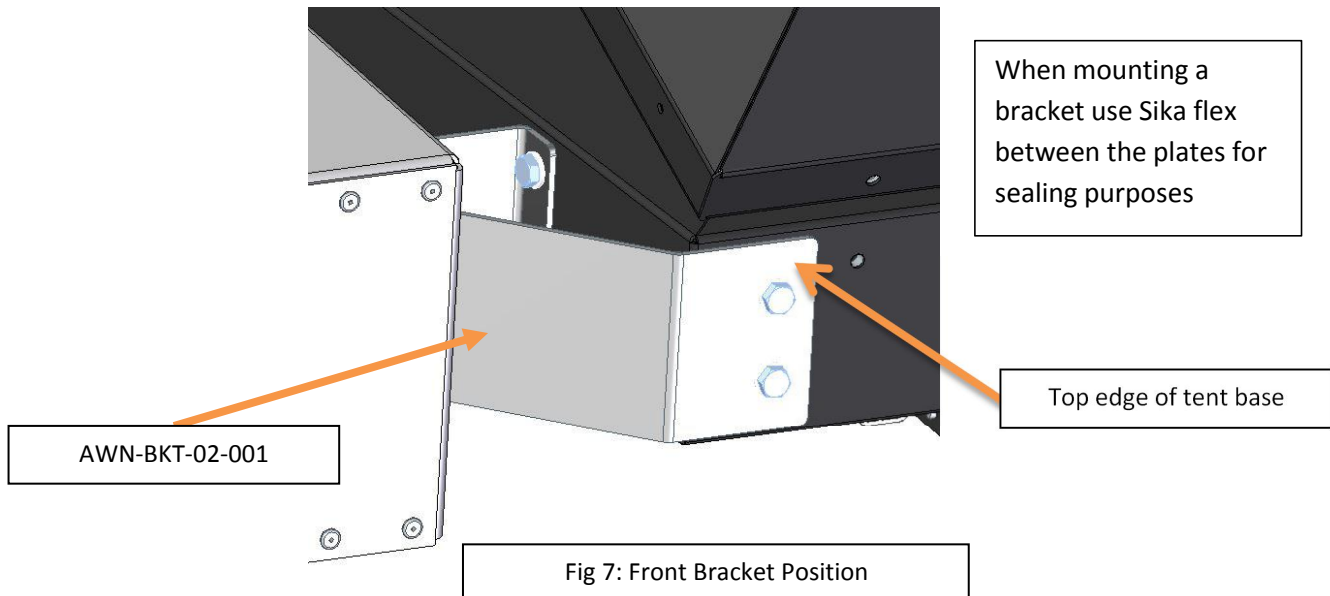


WARNING

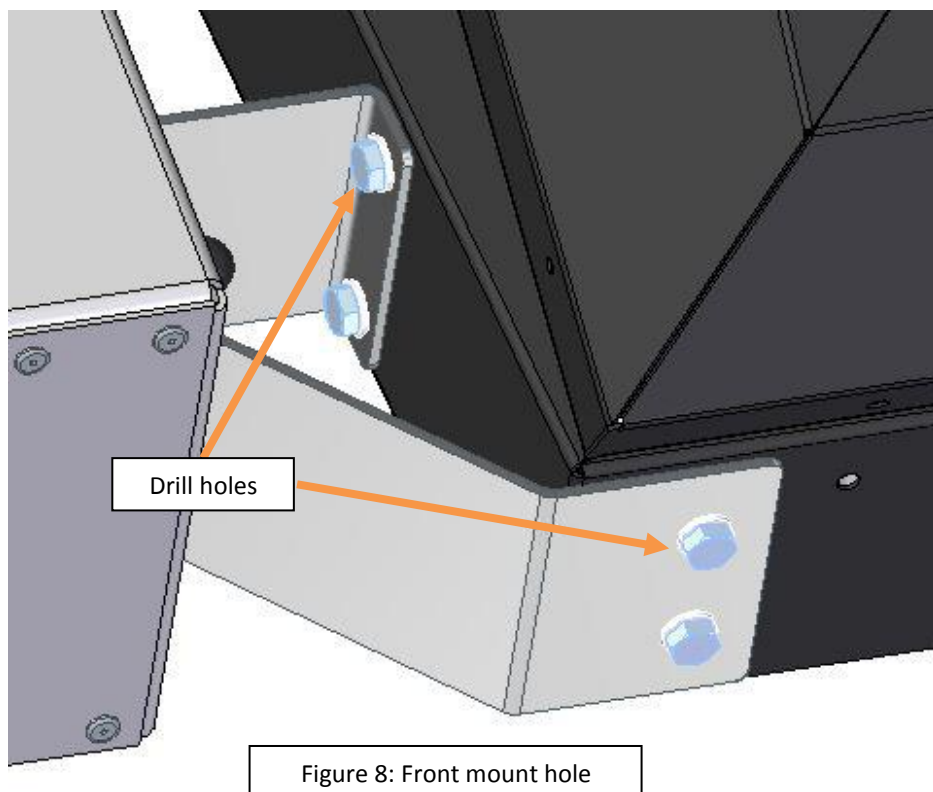
Always wear appropriate PPE (Personal protection equipment) when fitting this product. Although the mounting kit is designed to be DIY, if you have any doubts or concerns, contact an accredited fitment centre to carry out the work. Alu-Cab will not be liable for any injury to persons, and/or damage to products and/or vehicles.

2. Mounting the front mounting bracket to Gen 3 tent

Remove the mattress from the tent. Place the front mounting bracket (AWN-BKT-02-001) to the front corner of Gen 3 tent. Keep bracket to top edge of tent base. See Fig. 7.



Use the front mounting bracket(AWN-BKT-02-001) as drill jig and drill the two holes into the tent base. See Fig. 8.



Mount the front mounting bracket to the tent base. Place backing plate on inside of tent and fix with bolts, washers and nuts supplied. See Fig. 9.

When mounting a bracket use sika flex between the plates for sealing purposes

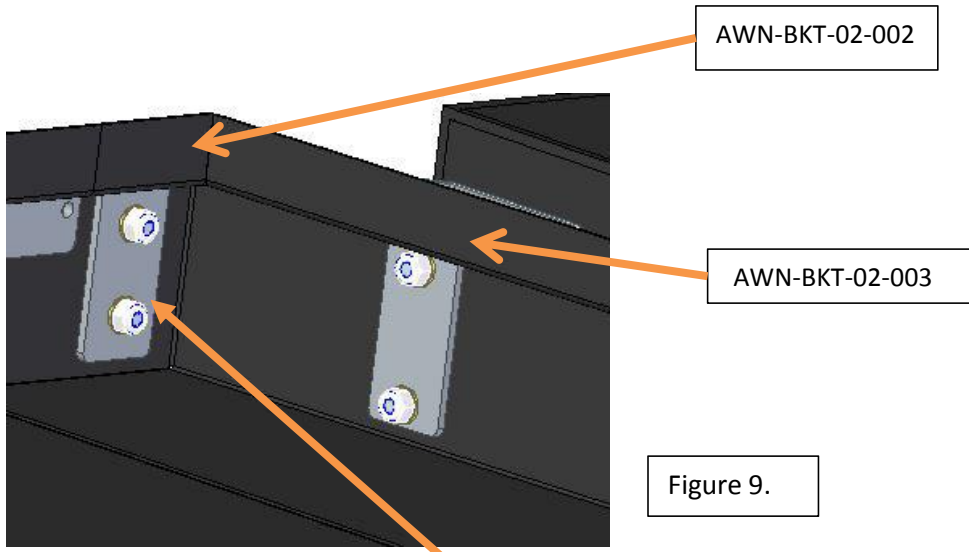
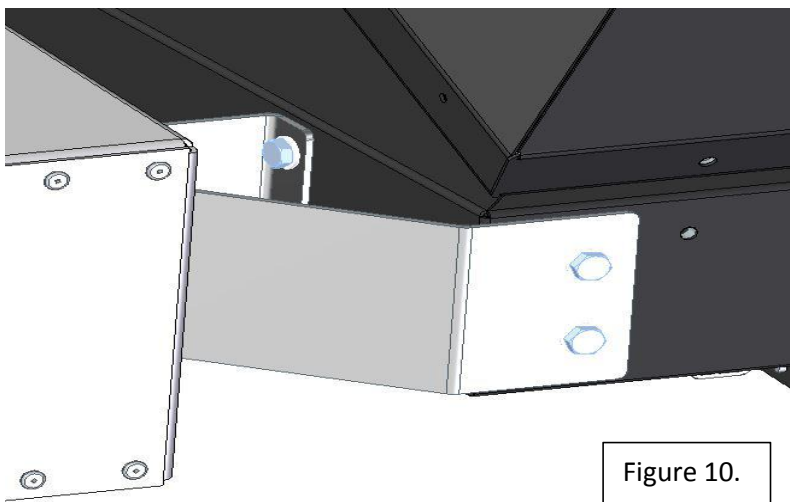


Figure 9.

AWN-BKT-02-002 FITS BEHIND THIS FRONT MOUNTING BRACKET AS SEEN BELOW



When mounting a bracket use Sika flex between the plates for sealing purposes

Figure 10.

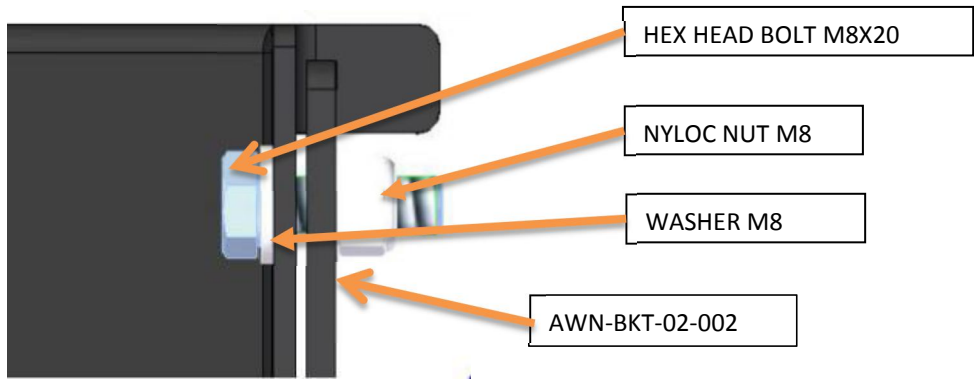


Figure 11: Front Mount Bolt Assembly

3. Mounting the rear mounting bracket to Gen 3 tent

Generic mounting bracket mounts over the cargo rail on side of tent. Place Rear Mounting Bracket (415-SHW-GENE-MNT-BKT-01-01) flush with the top edge of tent base. See Fig. 12.

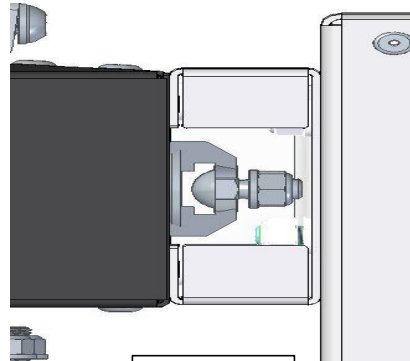


Figure 12.

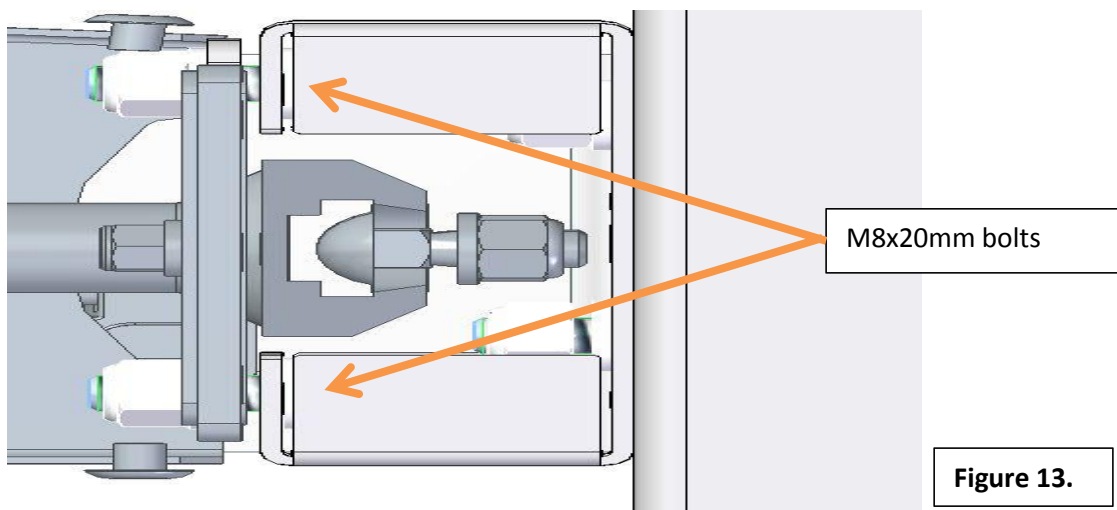


Figure 13.

Slide the rear mounting bracket to measurement of 874mm from front mounting bracket as seen in Fig. 14.

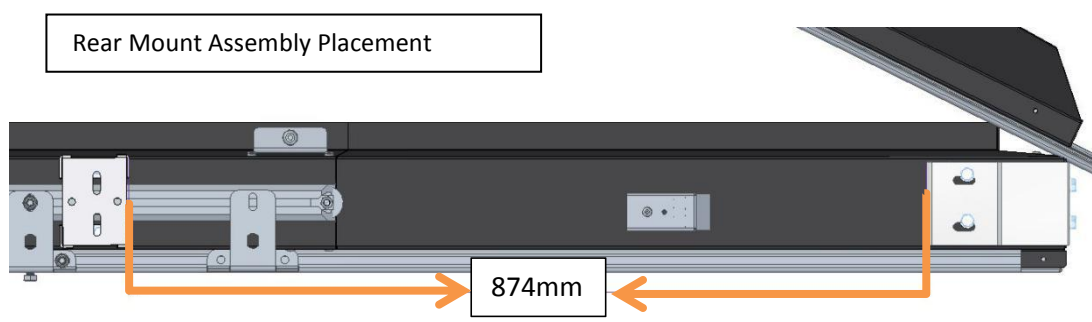


Figure 14.

Use the bracket as the drill jig and drill the two holes into the tent base. See Fig.15.

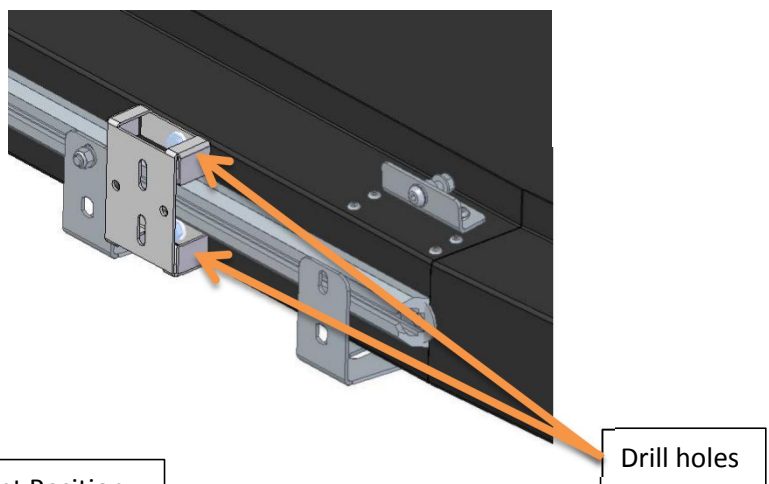


Figure 15:Rear Mount Position

Mount rear mounting bracket to tent base by placing the backing plate inside the tent then the bolts, washers and nuts. Tighten the bracket to the tent base. See Fig. 17.

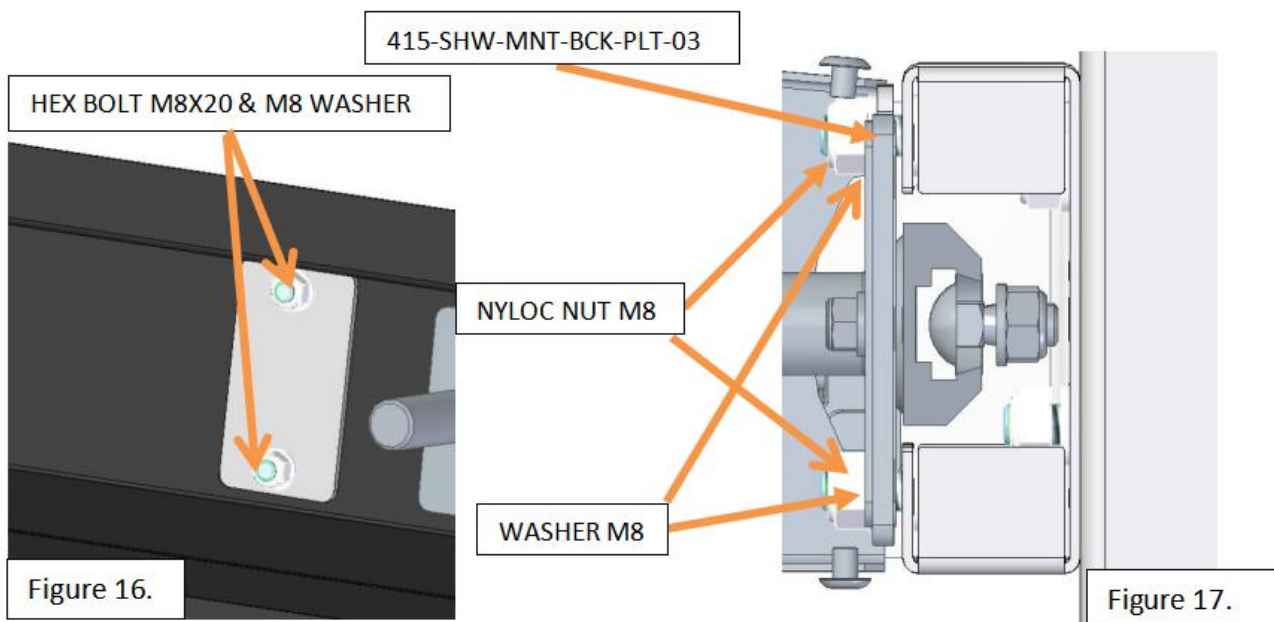


Figure 16.

Figure 17.

Place M8 Plastic Nut Caps on all M8 Nyloc Nuts to finish of the mounting bracket fitment.

4. Mounting the shower cubicle

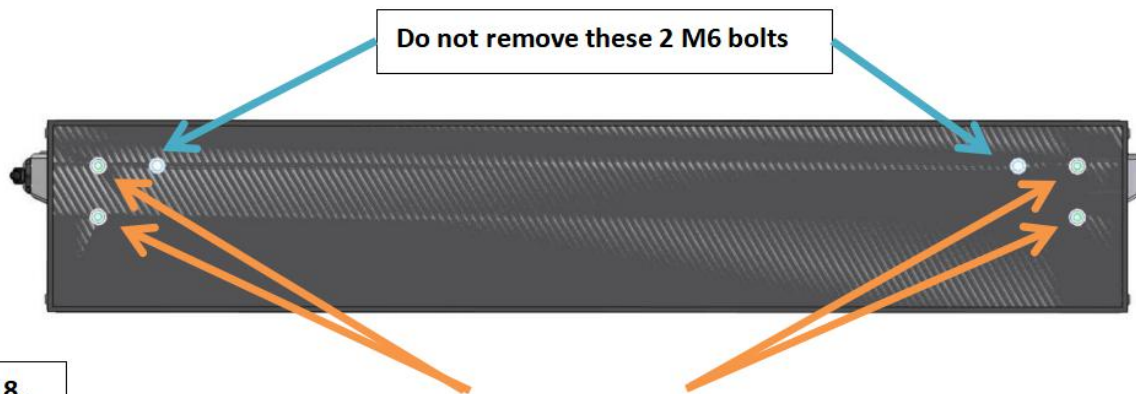


Fig 18.

Loosen these 4 M8 nuts before fitting to mounting brackets on the tent

When mounting a bracket use Sika flex between the plates for sealing purposes

Place shower cubicle assembly with the bag on mounting brackets and secure shower cubicle to the mounting brackets using the same nuts that where removed in fig 19 See Fig. 19 & 20.

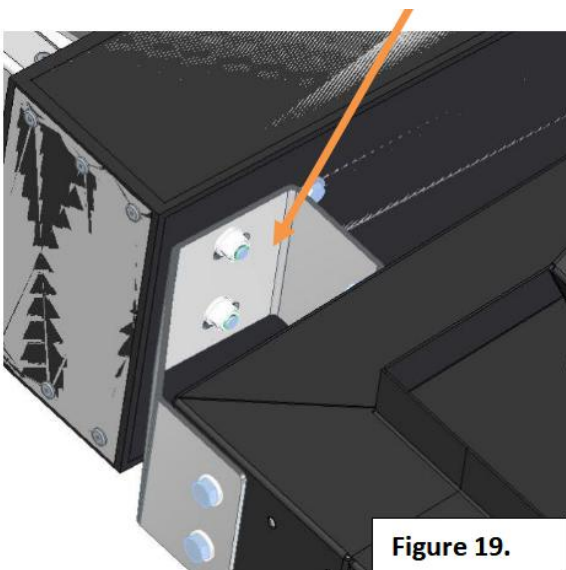


Figure 19.

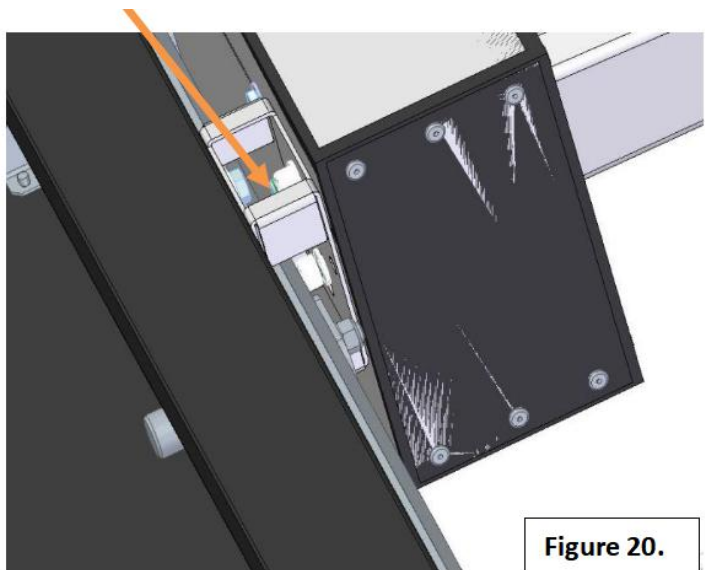


Figure 20.

5. Mount Shower Cubicle on LHS of Gen 3 Tent

To mount the Shower cubicle on the Gen 3 Tent or Canopy Camper Double Cab on LHS side, repeat procedure as for RHS. The front mounting bracket (AWN-02-001) can be use by just turning it upside down. For the Rear Mounting Bracket (415-SHW-GENE-MNT-BKT-01-00) This bracket is generic and can be used as is on any side of the tent.