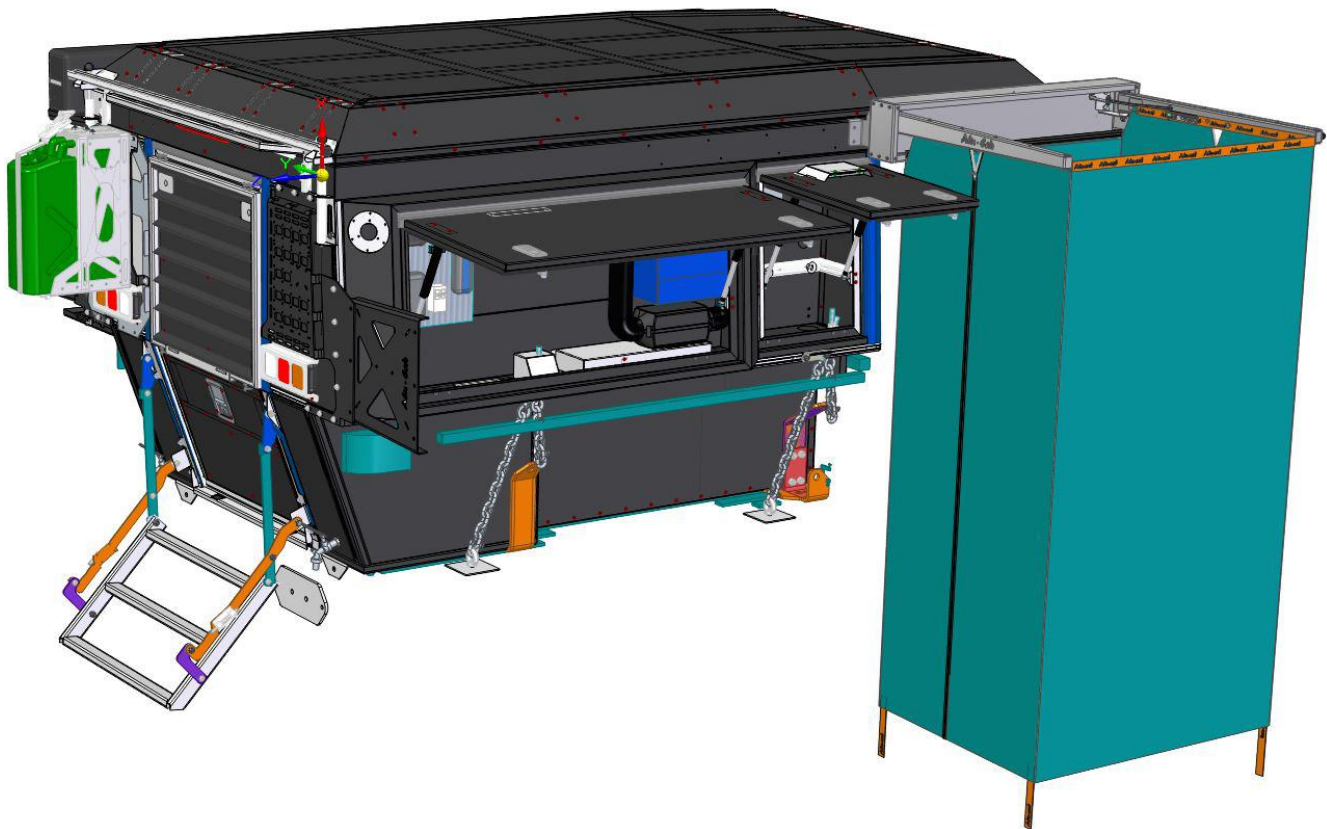


# FITMENT INSTRUCTIONS

**Alu-Cab**<sup>™</sup>



## Shower Cube to Khaya & Canopy Camper XC (SH-BKT-KH)

All rights reserved. No part of this document may be reproduced, translated, stored in a retrieval system, or transmitted, in any form or by any means, electronic, mechanical, photocopying, recording or otherwise, without prior written permission of the owner.

Review all instructions information carefully before installation.

Any damages, direct or incidental to the installer and/or property due to incorrect installation of any parts are the responsibility of the installer. Due to the various applications and fitment options available, the responsibility lies with the user to ensure all mounting points are secure and tight before every trip. If unsure, consult with your Distributor regarding the operations of our products.

Users are advised to be mindful of the load they are carrying and drive in accordance with road conditions.

DISCLAIMER

**Alu-Cab**

## 1. Shower Cubicle Fitment – Tools, Fasteners & Materials

The tables below show the equipment, i.e. tools and fasteners required to start the shower cubicle fitment onto a Khaya & XC Canopy Camper.

### 1.1. Tools & Items Required:

TOOLS	ITEM
Ratchet	Turpentine
13mm Socket	Cloth
13mm Ring Flat Spanner	Black sealant, silicone or Sikaflex
Drill	
Drill Bit Ø8.5	

### 1.1. Fasteners supplied: (Included with Shower Cube brackets)

ITEM	QTY
HEX HEAD BOLT M8X20	2
HEX HEAD BOLT M8X25	4
M8 FLAT WASHER	12
M8 NYLOC NUT	12
M8 PLASTIC NUT CAP	12

### 1.2. Hardware Required: (Included with Shower Cube)

ITEM	DESCRIPTION	QTY
SHOWER CUBICLE	SHOWER CUBICLE ASSEMBLY	1
SHOWER CUBICLE BAG	BLACK SHOWER CUBICLE BAG	1
SHOWER CURTAIN	GREY SHOWER CURTAIN	1

### 1.3. Brackets Required: (Sold Separately)

KHAYA MOUNTING BRACKET	415-SHW-MNT-BKT-03-05	1
AWNING BRACKET	LR-AW-000-002	1
AWNING BRACKET BACK PLATE	AWN-BKT-02-002	1

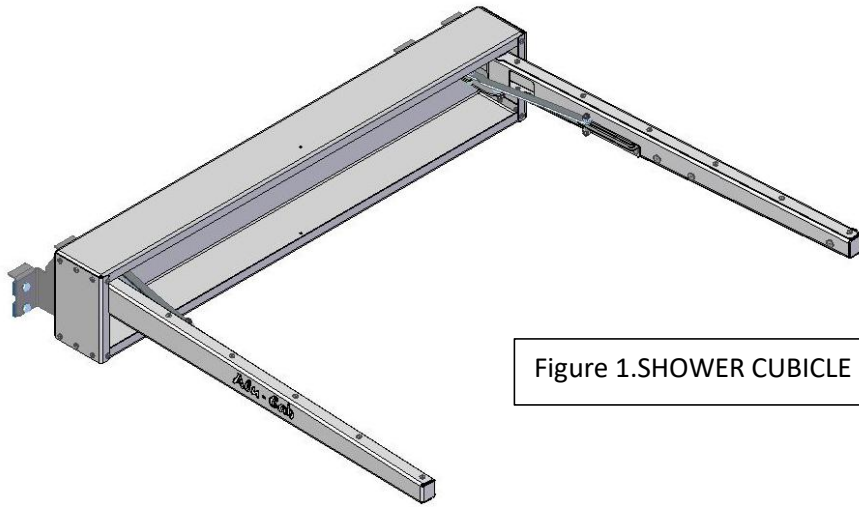
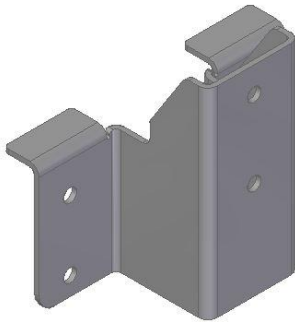
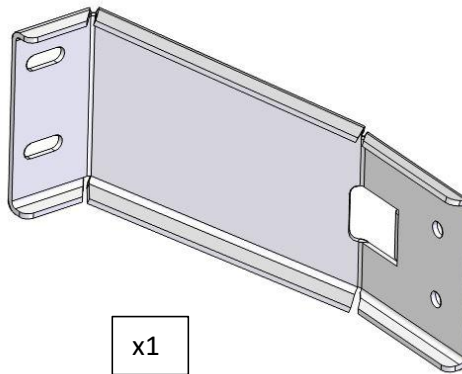


Figure 1.SHOWER CUBICLE



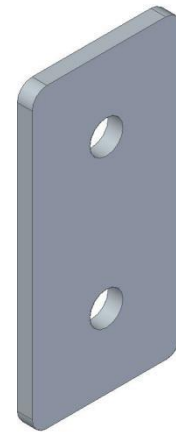
x1

Figure 2. LR-AW-000-002



x1

Figure 3. 415-SHW-MNT-BKT-03-05



x1

Figure4. AWN-BKT-02-002

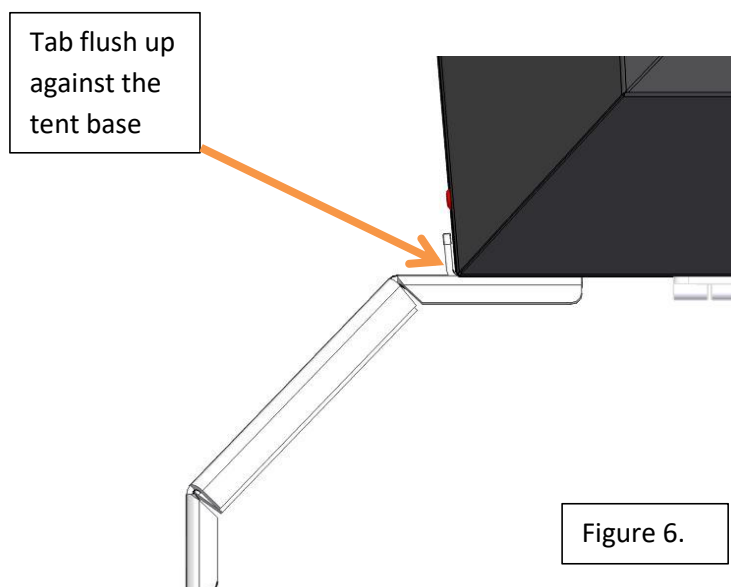
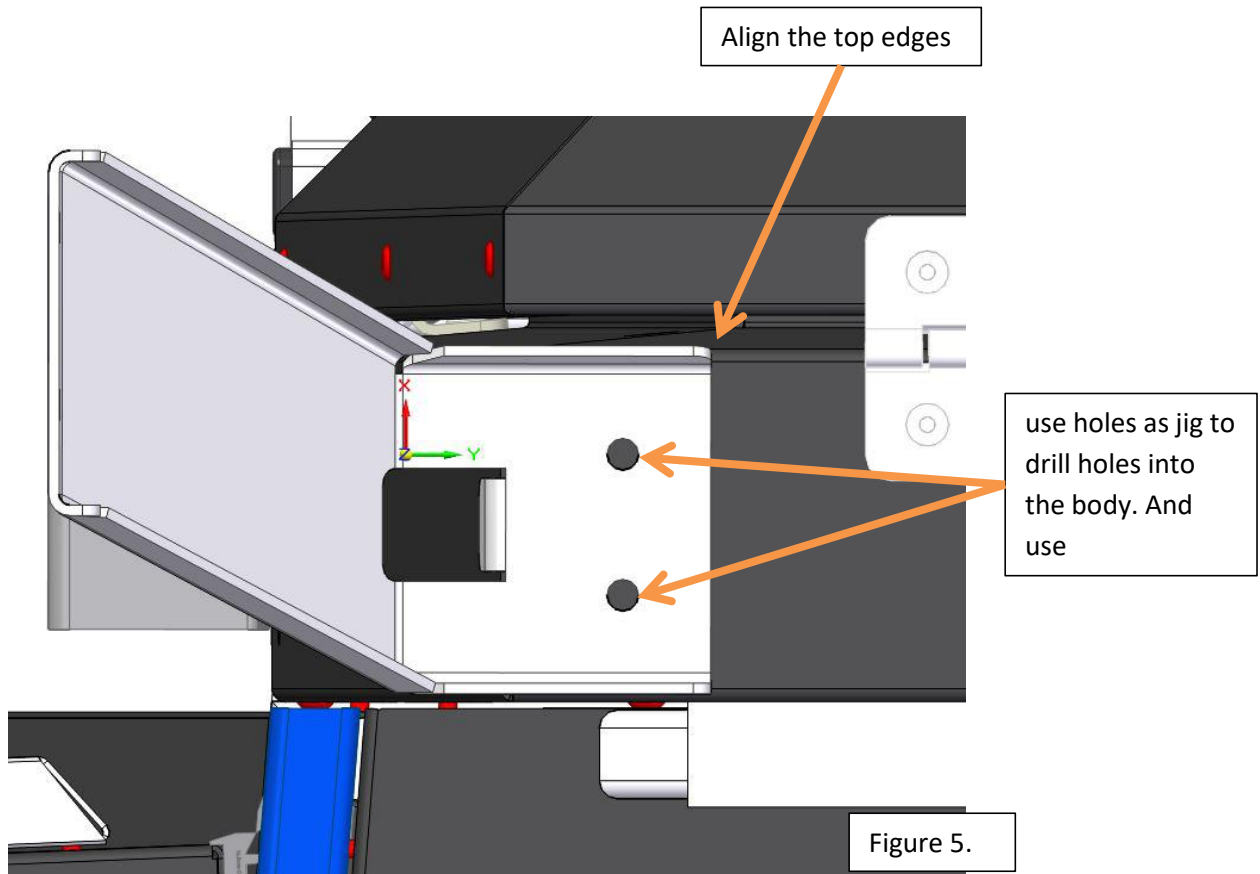


**WARNING**

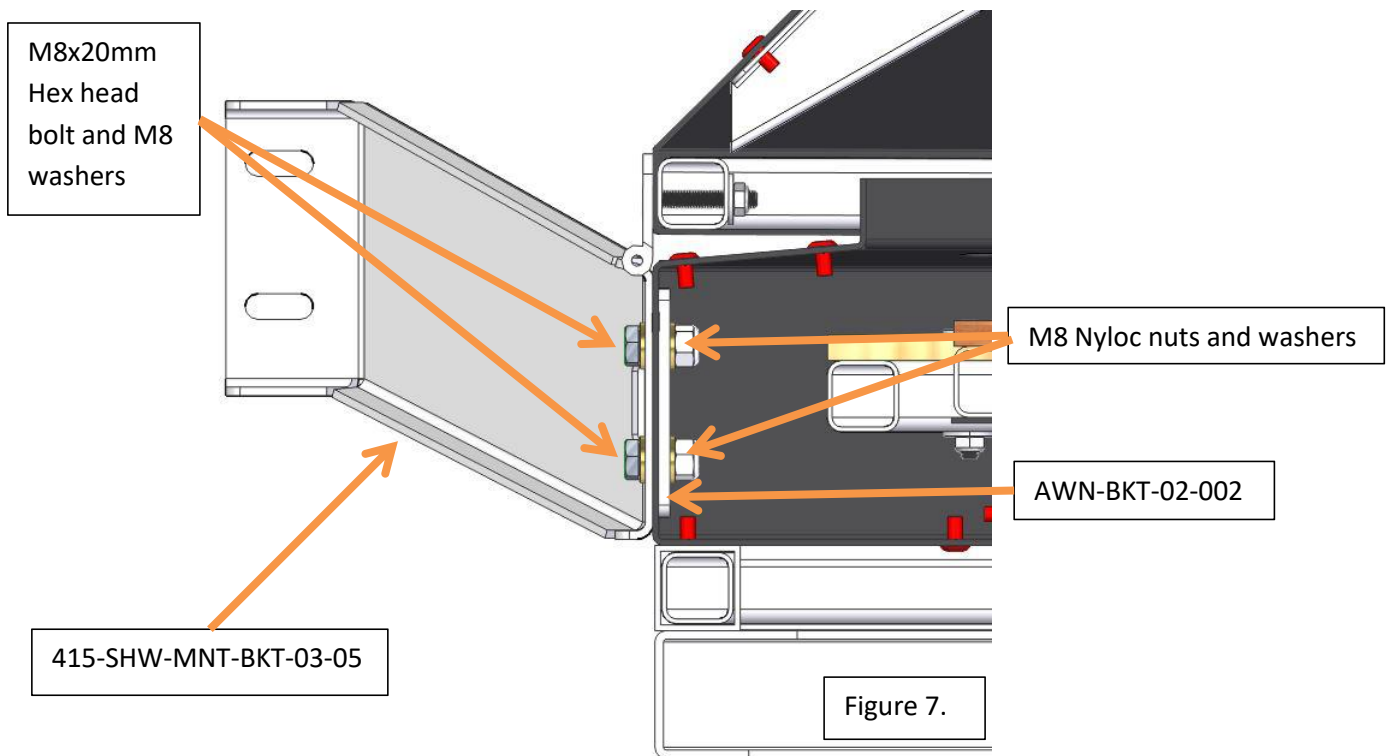
Always wear appropriate PPE ( Personal protection equipment) when fitting this product. Although the mounting kit is designed to be DIY, if you have any doubts or concerns, contact an accredited fitment centre to carry out the work. Alu-Cab will not be liable for any injury to persons, and/or damage to products and/or vehicles.

## 2. Mounting the brackets to the Khaya & Landcruiser XC Canopy Camper

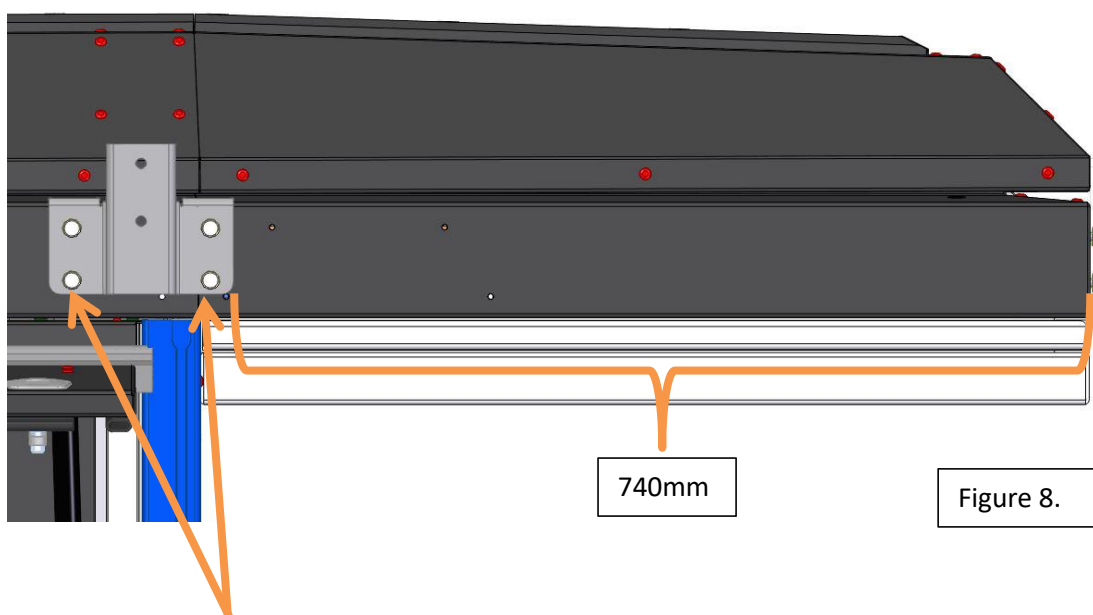
Align the top edge of the bracket with the top edge of the tent base, with the tab of the shower mount bracket(415-SHW-MNT-BKT-03-05) up against the tent base as seen below in Fig 5 & 6



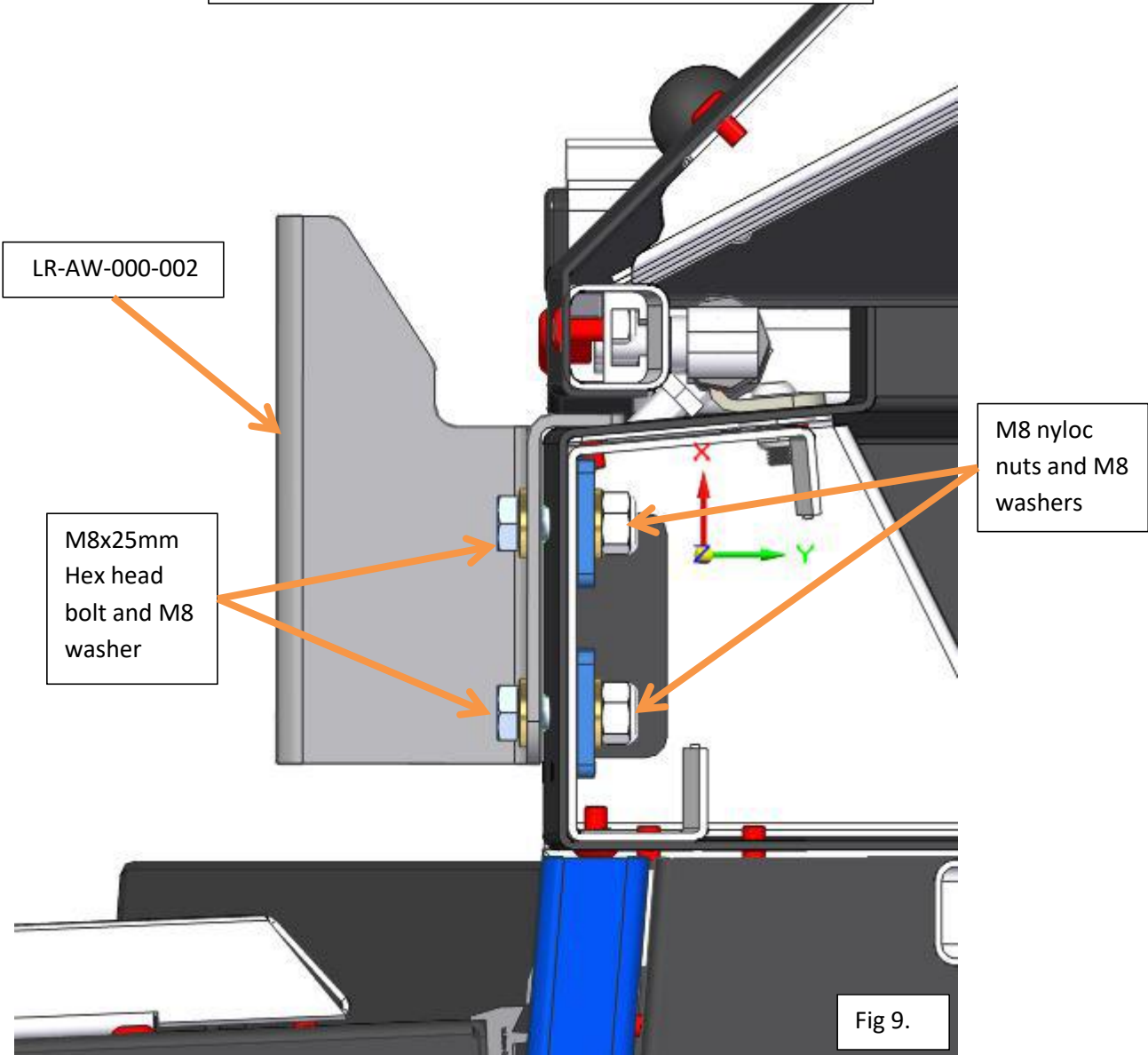
2. Remember to use Sika flex between the brackets and end plates for sealing purposes.



Fit the bracket (**LR-AW-000-002**) 740mm from the front of the tent base as seen below in Fig 8.



Use existing holes on the bracket as a jig for drilling holes



**Remember to apply Sika flex between the brackets and the tent base for sealing purposes.**

### 3. Mounting the shower cube.



Fig 10.

Loosen these 4 M8 nuts before fitting to mounting brackets on the tent .

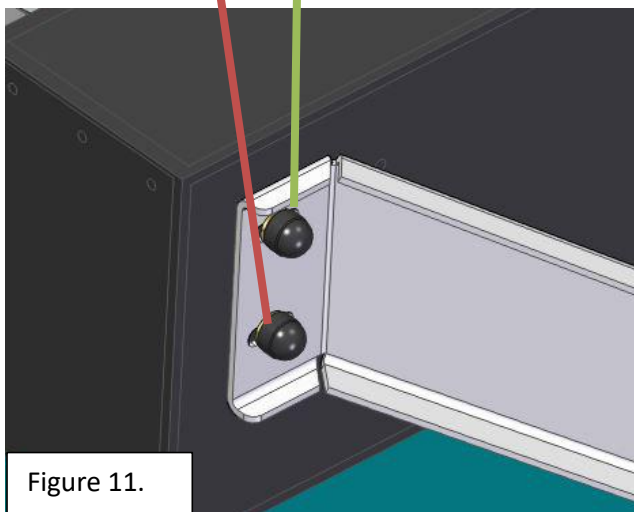


Figure 11.

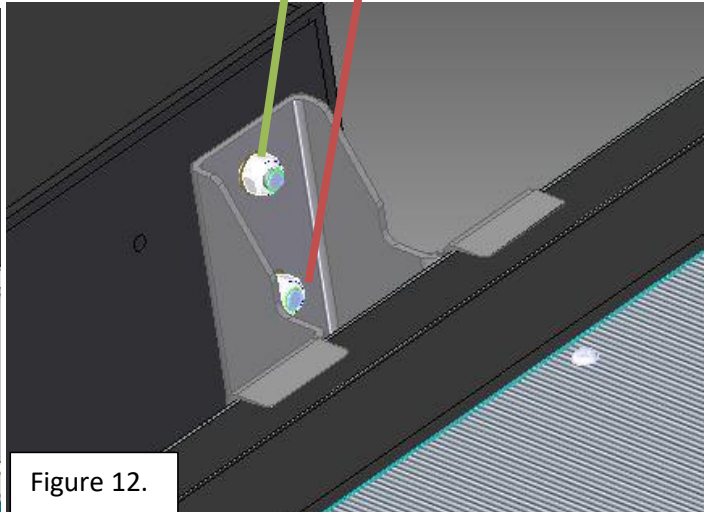


Figure 12.

Place shower cubicle assembly with the bag on mounting brackets and secure shower cubicle to the mounting brackets using the same nuts that where removed in fig 10. And place M8 nut caps on all nuts.